

INSTALLATION INSTRUCTION

731 - LED Pendant

PD-73129 / PD-73139

dweLED

CAUTION: To prevent electrical shock, ensure electricity has been turned off at the circuit breaker before beginning.

- Read all instructions before installing.
- System is intended for installation by a licensed electrician in accordance with the National Electrical Code (NEC) and local regulations.
- When handling the fixture, do not apply pressure to the LEDs. Hold the fixture by the base only.
- Retain installation instructions for future maintenance reference.

WARNING: All parts must be used as indicated in these instructions. This product is designed for use only with the supplied parts and/or accessories designated for use by dweLED. Substitution of parts or accessories not designated for use with this product by dweLED could result in personal injury or property damage, and will void the warranty. Contact an authorized dealer or the manufacturer if any parts are damaged or missing.

MAINTENANCE NOTE: Coastal conditions may cause mineral and residue build-up on the fixture. We recommend that customers in coastal areas clean all external surfaces of the fixture once every two weeks with a wet cloth.

MISE EN GARDE: Pour éviter tout choc électrique, assurez-vous que le disjoncteur soit mis hors tension avant de commencer.

- Lisez toutes les instructions avant l'installation.
- Le système doit être installé par un électricien licencié conformément au code national de l'électricité (NEC), et également aux règlements locaux.
- Lors de la manipulation du luminaire, n'appuyez pas sur les LED. Tenez-le uniquement par la base.

ATTENTION: Toutes les pièces doivent être utilisées comme indiqué dans ces instructions. Ce produit est conçu pour être utilisé seulement avec les pièces et/ou accessoires fournis pour être utilisés avec les produits dweLED. Remplacer des pièces ou accessoires non conçus pour ce produit dweLED pourrait causer des dommages corporels ou matériels et pourrait également causer l'annulation de la garantie. Veuillez contacter un revendeur autorisé ou le fabricant si des pièces manquent ou sont endommagées.

NOTE D'ENTRETIEN: Les conditions côtières peut causer une accumulation de minéraux et de résidus sur le luminaire. Nous recommandons aux clients qui résident dans les zones côtières de nettoyer toutes les surfaces externes du luminaire une fois toutes les deux semaines avec un chiffon humide.

HARDWARE

A



Wire Connector
Qty: 5pcs+1 Extra

B



Mounting Screw
Qty: 1pc+1 Extra

C



Assembly Screw
Qty: 4pcs+1 Extra

dweLED.com
Phone (800) 526.2588
Fax (800) 526.2585

Headquarters/Eastern Distribution Center
44 Harbor Park Drive
Port Washington, NY 11050

Central Distribution Center
1600 Distribution Ct
Lithia Springs, GA 30122

Western Distribution Center
1750 Archibald Avenue
Ontario, CA 91760



INSTALLATION INSTRUCTION

731 - LED Pendant

PD-73129 / PD-73139

dweLED

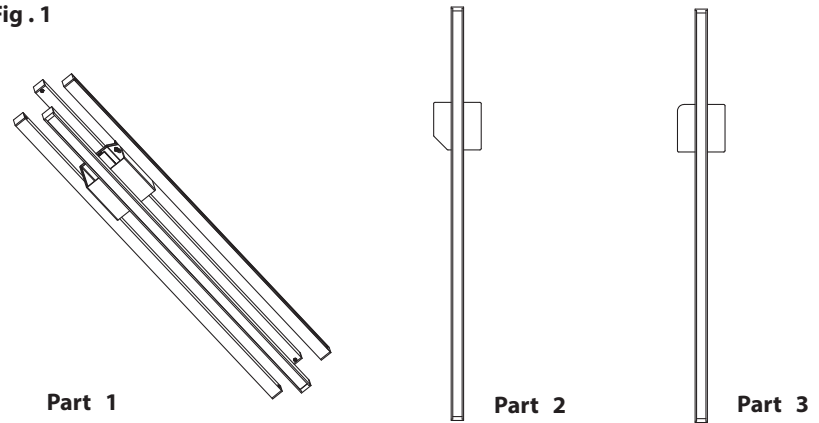
PREPARATION

1. Shut off the power at the circuit breaker and remove existing fixture, including the crossbar.
2. Carefully unpack your new fixture and lay out all the parts on a clear area. Be careful not to lose any small parts necessary for installation.

MOUNTING THE FIXTURE

3. There are three parts for the lamp body when unpacking the package as shown below (Fig. 1).

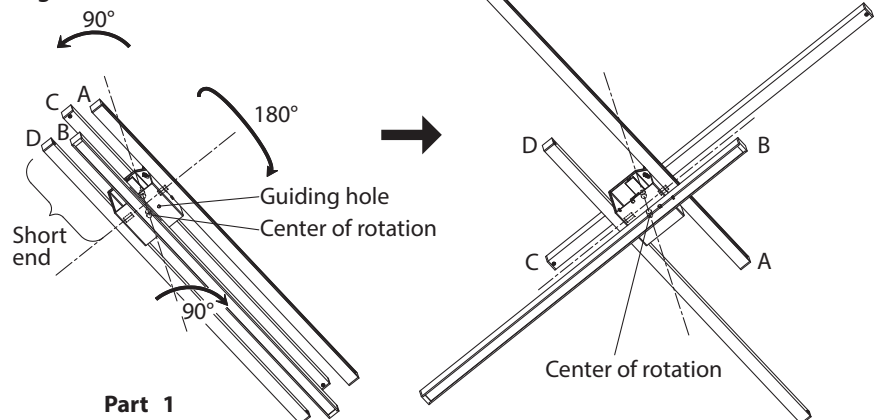
Fig . 1



4. Hold Part 1 with the "guiding hole" facing toward you with long extended ends pointing down . Rotate arms as shown below to get the diagram on the right (Fig. 2).

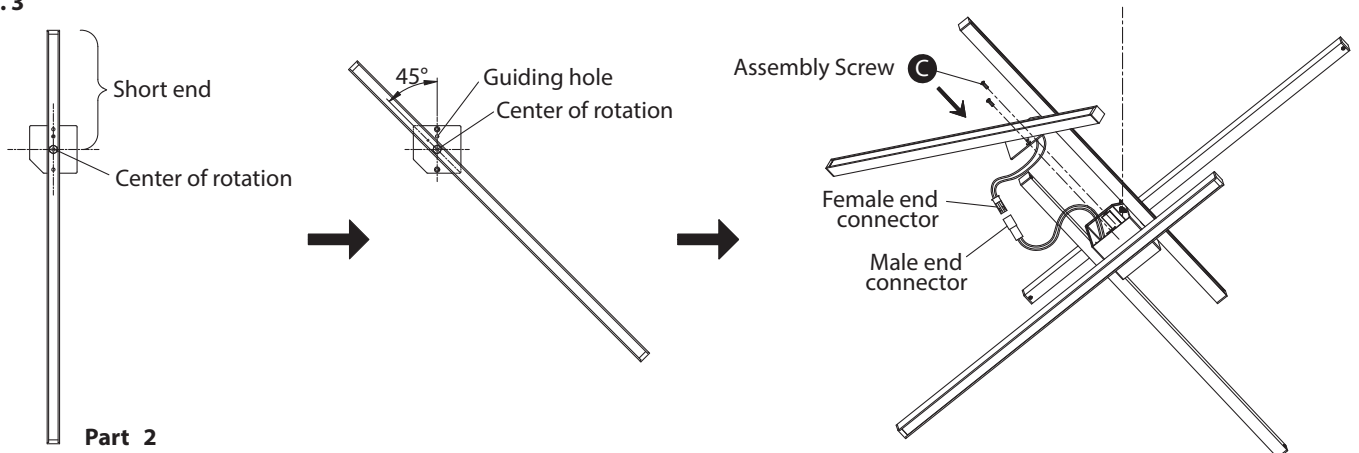
- a) Rotate 180° clockwise on arm A
- b) Rotate 90° clockwise on arm B
- c) Rotate 90° anti-clockwise on arm C

Fig . 2



5. For Part 2, rotate the arm by 45° with respect to the guiding hole as shown to reveal the mounting holes . Connect the wire connector with Part 1 . Secure the parts with the assembly screw(C) , then rotate the arm back to cover the holes as shown (Fig. 3) .

Fig . 3



dweLED.com

Phone (800) 526.2588

Fax (800) 526.2585

Headquarters/Eastern Distribution Center

44 Harbor Park Drive

Port Washington, NY 11050

Central Distribution Center

1600 Distribution Ct

Lithia Springs, GA 30122

Western Distribution Center

1750 Archibald Avenue

Ontario, CA 91760



INSTALLATION INSTRUCTION

731 - LED Pendant

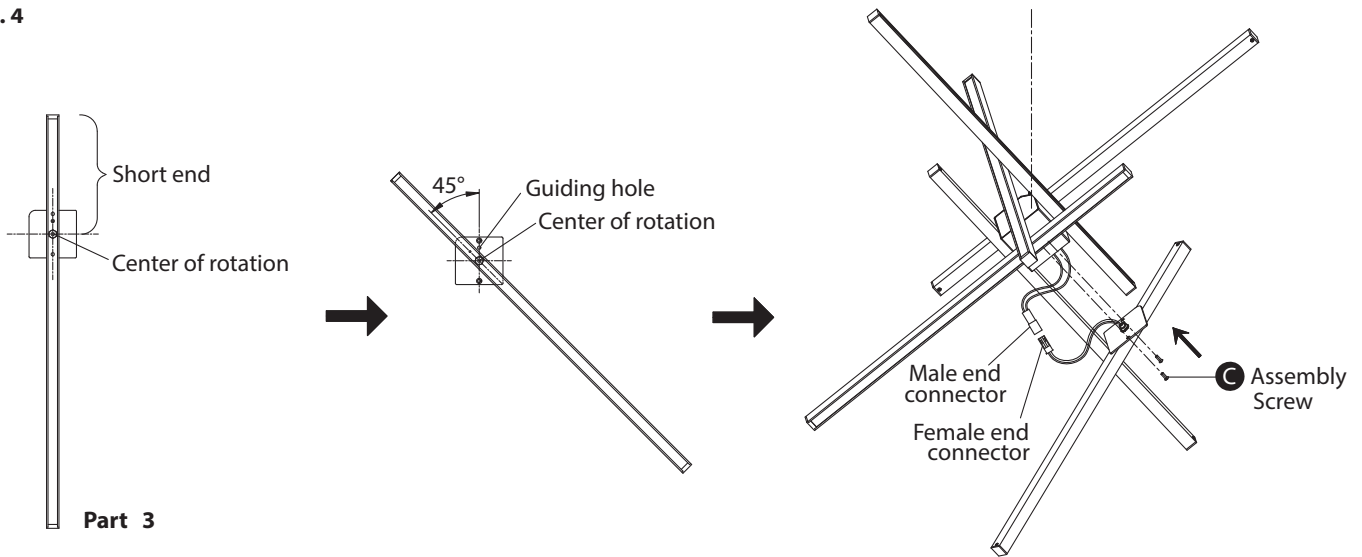
PD-73129 / PD-73139

dweLED

6. For Part 3, rotate the arm by 45° with respect to the guiding hole as shown to reveal the mounting holes. Connect the wire connector with Part 1. Secure the parts with the assembly screw (C), then rotate the arm to cover the holes as shown (Fig. 4).

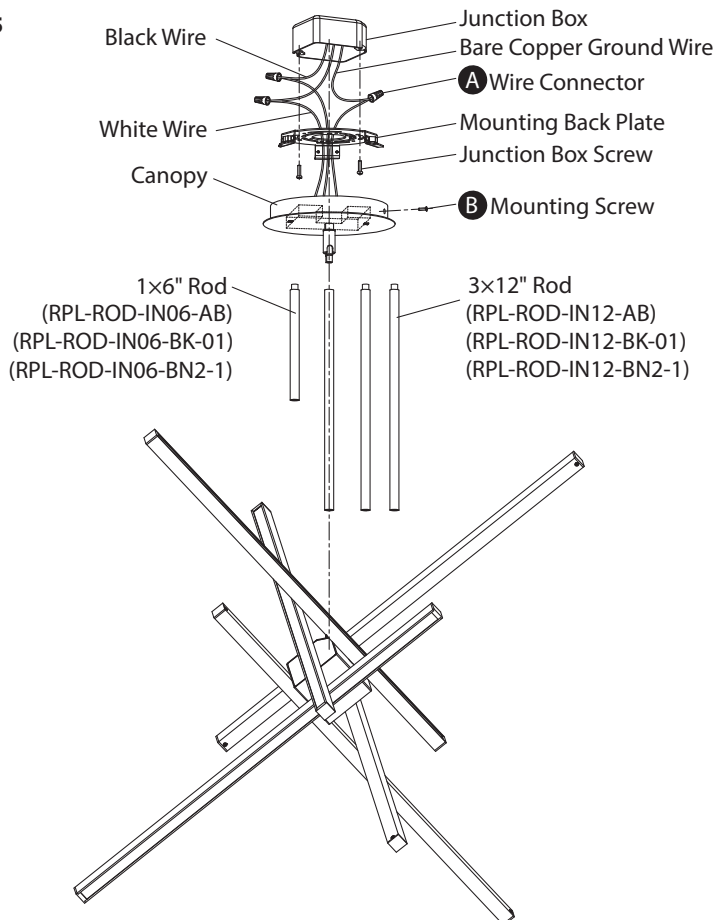
Note: All the six lamp arms can be adjusted after installation. You can adjust the arms of the fixture to desire position with the angle of rotation not exceeding 30 degree.

Fig . 4



7. Remove the mounting screw (B) from the fixture. Choose number of rod suitable of your application. Thread the fixture wire through the rod, swivel and canopy. Connect the canopy, swivel, rod and fixture body. Make sure all are tightened (Fig. 5).

Fig . 5



dweLED.com
Phone (800) 526.2588
Fax (800) 526.2585

Headquarters/Eastern Distribution Center
44 Harbor Park Drive
Port Washington, NY 11050

Central Distribution Center
1600 Distribution Ct
Lithia Springs, GA 30122

Western Distribution Center
1750 Archibald Avenue
Ontario, CA 91760



INSTALLATION INSTRUCTION

731 - LED Pendant

PD-73129 / PD-73139

dweLED

8. Secure the mounting back plate to the junction box using standard junction box screws that comes with the junction box.

- Note:** (i) Using any other non-original-manufacturer provided junction box screw may result in safety issue;
 (ii) The side of the mounting plate marked "GND" must face out.

CONNECTING THE WIRES

9. Cut the excessive wire which needs to be tucked back into the canopy (due to the limit room within the canopy) if necessary. Connect the driver's in put wires to junction box wires as shown (Fig. 6). Make sure that all wire connectors (A) are secured. If your outlet box has a green or bare copper ground wire, connect the fixture's ground wire to it. Otherwise, connect the fixture's ground wire directly to the back plate using the green screw provided. After wires are connected, tuck them carefully inside the junction box.

COMPLETING THE INSTALLATION

10. Secure the fixture to the mounting back plate using the mounting screw (B) as shown (Fig. 5) .
 11. For slope ceiling application, rotate swivel at the top of the stem to ensure luminarie is aiming down (Fig.8) .

DIMMING WIRING INFORMATION

12. This fixture features electronic low voltage (ELV or TRAC) dimming capabilities. See notes below for specific dimming wires information (Fig. 7) .
 13. To utilize ELV or TRAC dimming: use wires black (hot), white (neutral) and bare copper ground wire (ground) .
 14. To utilize 0-10V dimming: use wire purple (dim+), gray (dim-), black (hot), white (neutral) and bare copper ground wire (ground) .
NOTE : Make sure to connect 0-10V prior to power-up the fixture in order to allow the 0-10V dimming to function properly .

Fig . 6 Wiring

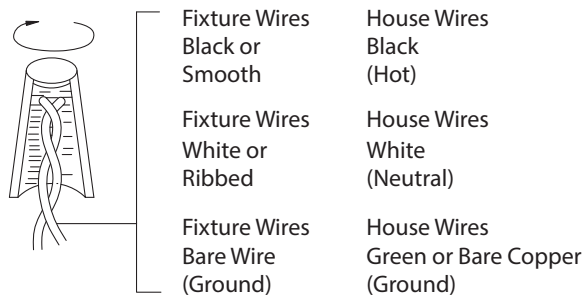


Fig . 7

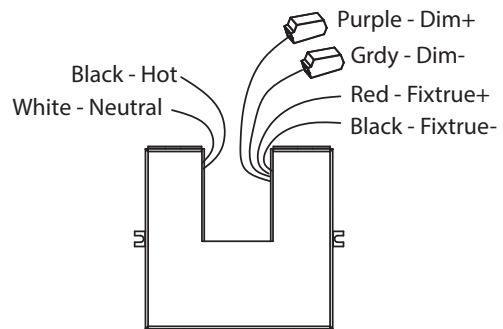
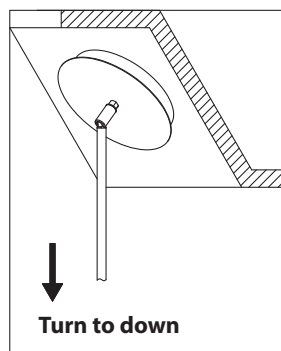
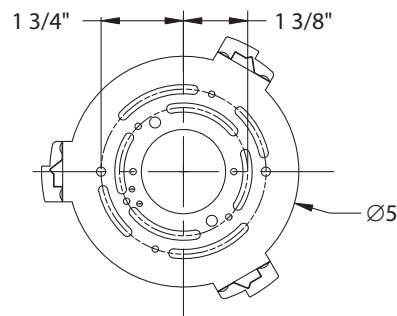


Fig . 8



Mounting Back Plate



dweLED.com
 Phone (800) 526.2588
 Fax (800) 526.2585

Headquarters/Eastern Distribution Center
 44 Harbor Park Drive
 Port Washington, NY 11050

Central Distribution Center
 1600 Distribution Ct
 Lithia Springs, GA 30122

Western Distribution Center
 1750 Archibald Avenue
 Ontario, CA 91760

